

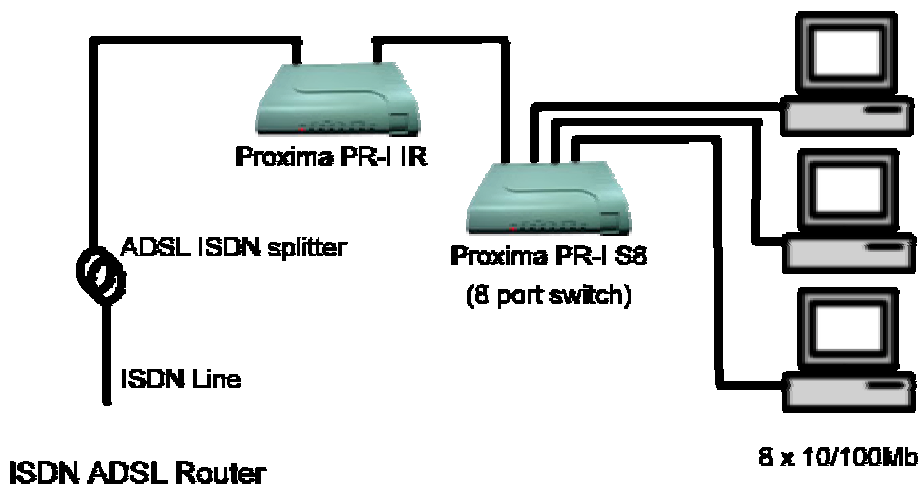
Proxima PRI ADSL IR

ADSL ISDN Router
Supports NAT for IP Sharing

Features

- ANSI T1.413 Issue 2, ITU-T G.992.1 (G.dmt) and G.992.2 (G.lite) compliant
- Full rate transmission at up to 8Mbps downstream and 640Kbps upstream
- Full ATM protocol stacks implementation over ADSL, including ATM TC layer, ATM layer with traffic shaping, AAL layer (AAL5 & SAR), PPP over ATM, Classical IP over ATM, Ethernet over ATM, PPP over Ethernet
- Share a single WAN IP address or account with your entire private network via NAT
- Operating modes : Routing, Bridge, Static IP + NAT, PPPoE + NAT and PPPoA + NAT
- Configuration and management operated via WWW browser, Telnet client or RS-232 console port
- LAN Port: Ethernet 10BaseT 10-Mbits

Typical Application



Proxima PRI Product Range

Proxima PRISB4	Broadband DSL/Cable Router with integrated 4 Port 10/100 Switch
Proxima PRIS8	Intelligent 8 Port 10/100 Switch
Proxima PRIPR	ADSL POTS (PSTN) Ethernet Router
Proxima PRIFE	ADSL POTS (PSTN) Ethernet Modem
Proxima PRIIR	ADSL ISDN Ethernet Router
Proxima PRIIE	ADSL ISDN Ethernet Modem
Proxima PRIPR4	ADSL POTS (PSTN) Router with integrated 4 Port 10/100 Switch
Proxima PRIIR4	ADSL ISDN (ISDN) Router with integrated 4 Port 10/100 Switch
Proxima PRISB4WL	Broadband Router with 4 Port 10/100 Switch & Wireless LAN Access



Bausch Datacom NV/SA
Tiensesteenweg 54-56, B-3360 Korbeek-Lo
Tel. : Int 32 (0)16 46 12 88 Fax: Int 32 (0)16 46 31 51
Info@bausch.be, <http://www.bausch.be/>, <http://www.proxima.be/>

Technical Specifications

Dimensions

- Size H 3.4 cm x W 16.5 cm x D 9.3 cm

ADSL Features

- ISDN ETSI TS 101 388 / Annex B optional
- Supports DMT line modulation
- Supports Full-Rate ADSL: up to 8Mbps downstream, up to 1Mbps upstream (G.992.1 & T1.413, Issue 2)
- Supports G.Lite ADSL: up to 1.5Mbps downstream, up to 512Kbps upstream (G.992.2)
- Supports DSL handshaking (G.994.1)

ATM Features

- RFC1483 Encapsulation (LLC & VC multiplexing) (IP, Bridging & encapsulated routing)
- PPP over ATM (RFC2364)
- Classical IP (RFC1577)
- Traffic shaping (UBR)
- PPP over Ethernet client (RFC2516)

Management Features

- Plug-&-Play Installation
- Local Management (WWW, Telnet, Terminal)
- Remote Management (o/w fixed WAN ip address)
- Firmware upload/download via TFTP
- Event & History logging
- Alarm Status & Power Indicators
- Network Ping

Physical Interfaces

- RJ-45 10Base-T Ethernet port
- RJ-11 ADSL POTS (PSTN) port
- RS232 DB9 console port
- Power Supply (9Vdc 1A) connector

Routing Features

- TCP/IP with RIP V1 & V2
- Static Routing

Security Features

- Password protected configuration access
- User authentication (PAP/CHAP) with PPP Firewall (NAT, NAPT)
- Port Forwarding & Enhanced IP filtering

Internet Access

- TCP/IP, UDP, ICMP
- NAT, (Network Address Translation) for IP sharing

LAN Features

- DHCP, ARP, RARP, DHCP
- IP Multicast

Regulatory Approvals

- CE Mark